

## TOILET FLUSH VALVE

**CT458XNL(50CM.)** SELF-LOCKED TOILET FLUSH VALVE/BACK INLET 50 CM.

**Barcode** 8852410458368

**Material No.** Z233CT458XNL50CM11

### Selling Point

1. Extra Chrome : Plated with 8 Micron Nickel-Chromium
2. Made from high quality material, durable, long-life product
3. Leakage tested at 17.5 bar

### Product characteristics

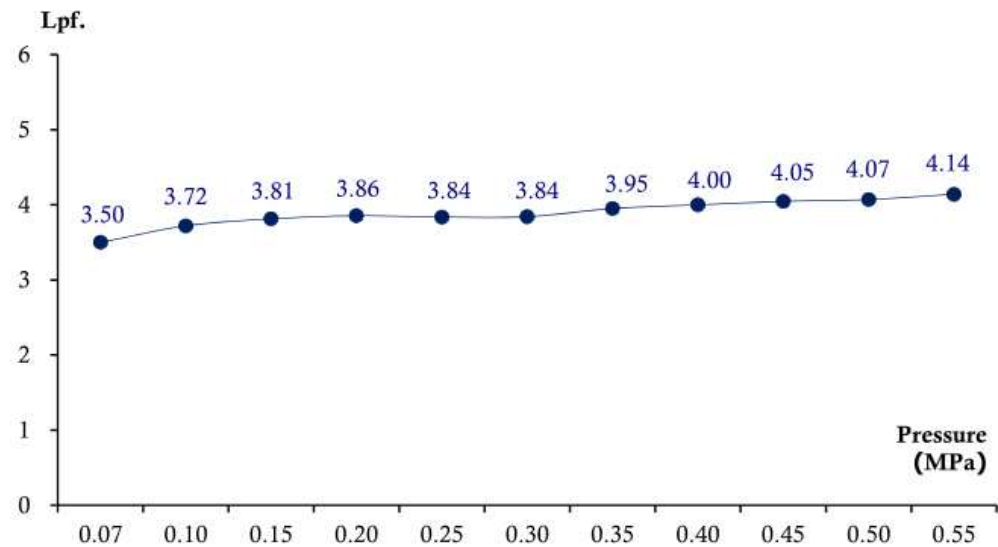
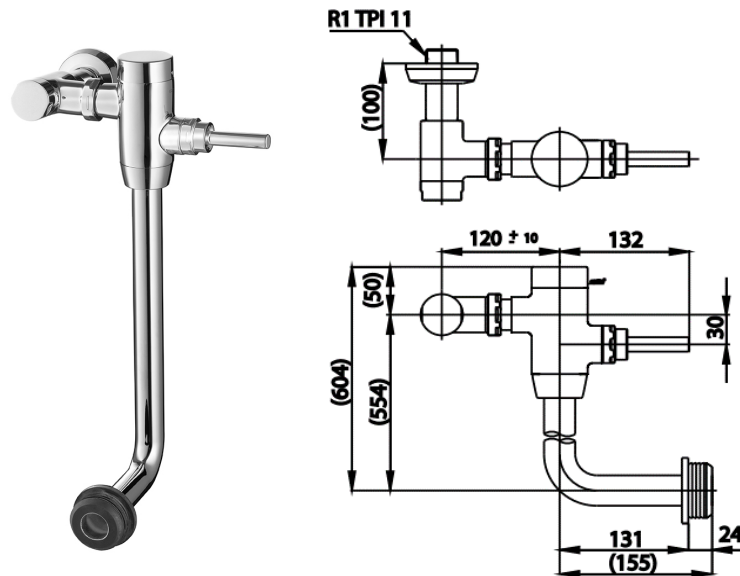
- pices/box : 1
- Inner box weight (Kg.) : 3.5
- Total box weight (Kg.) : 3.5

### Product Details

- Recommended water pressure 0.7 - 7.5 bar
- Back Inlet installation

### Recommended Usage

Install On Back Inlet Toilet



Siam Sanitary Ware Co.,Ltd. / Siam Sanitary Fittings Co.,Ltd.

36/11 Viphavadee Rangsit Rd, Sanam Bin, Donmuang, Bangkok 10210. Thailand

Tel : + 66 (0) 2973-5040-54

Fax : + 66 (0) 2973-3470

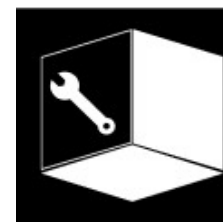
www.cotto.com

COTTO Studio

Tel : + 66 (0) 2973-5040-54

Center (Donmuang ,Bangkok) : +66 (0) 2521-7777

The company reserves the right to change any of the details in the document without prior notice



COTTO  
**Fixing**  
Service

ปรึกษาผู้เชี่ยวชาญ

Tel : 02-521-7777 ต่อ 3

Line : @Fixingservice

